

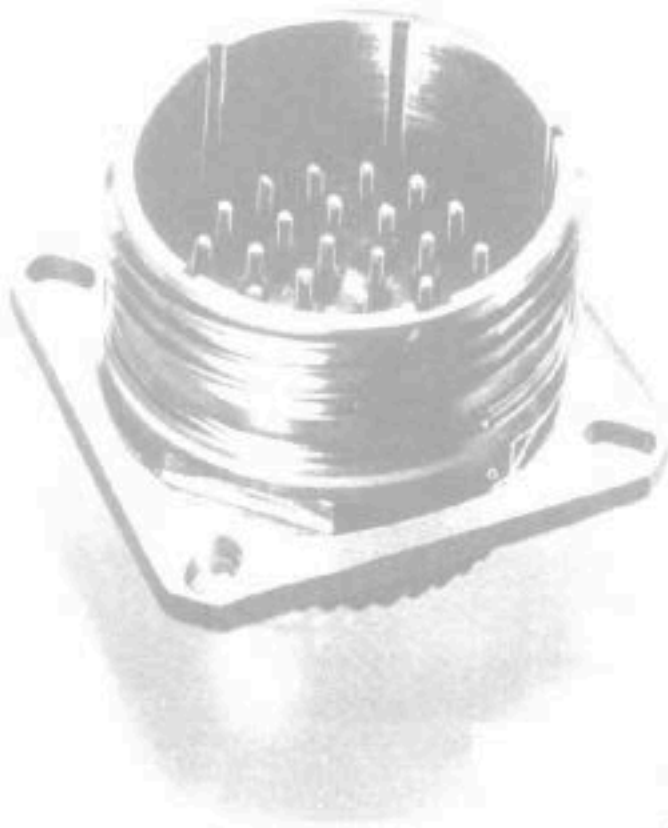


MilSpecWest

THE VERY BEST IN MICRO INTERCONNECTING PRODUCTS

888-428-2188

www.milspecwest.com



**MIL 26482 STYLE
SERIES I
SOLDER**



Specializing in Aerospace, Marine and Defense



MSW26482 GENERAL SPECIFICATIONS

Operating Temperature Range: -55°C to +125°C (-67°F to +125°F)

Environmental Seal: Wired, mated connectors with the specified accessory attached, shall meet the environmental requirements of MIL-C-26482.

Durability: Minimum of 500 mating cycles

Shock and Vibration Requirements: When tested as follows the connector shall sustain no physical damage or electrical discontinuity exceeding one microsecond.

Shock: Pulse of an approximate half sine wave of 50 g magnitude with duration of 11 milliseconds applied in three axes.

Vibration: Twelve hours of random vibration having a range of 10 to 2000 Hz with a .06 [1.52] inch double amplitude (10-55 Hz) and a 15 G peak level (55 to 2,000 Hz).

Altitude		Service Rating	
ft.	m	Inst.	A
Sea Level	-	1500	2300
50,000	15,240	500	750
70,000	21,336	375	500
110,000	33,528	200	200

Note: When the voltage as indicated above is applied between shell and closest contact to the shell or between the two closest contacts for a period of 5 seconds, there shall be no evidence of flashover or breakdown.

Contact Size*	DC Test Amperage	Contact Retention	
		lb	N
20	7.5	15	66.7
16	13.0	25	111.2

*Organize individual circuits to maintain heat rise within operating temperature requirements.

MSW00	E	12-	10	P	W-	SR	BLANK - CADMIUM OLIVE DRAB FINISH - 44 - ELECTROLESS NICKEL FINISH
							STRAIN RELIEF CLAMP
							BLANK FOR STRAIGHT BACKSHELL
							INSERT CLOCKING - BLANK FOR M=NORMAL USE W, X, Y, Z FOR ALTERNATES
							CONTACT STYLE P = PIN, S = SOCKET
							INSERT ARRANGEMENT
							SHELL SIZE
							CLASS E - Environmental A - General Duty
							STYLE MSW00 - Receptacle, Wall Mount MSW01 - Receptacle, In-Line(Cable Connecting) MSW02 - Receptacle, Box Mount MSW07 - Receptacle, Jam Nut Mount MSW06 - Plug, Standard MSW08 - Plug, Right Angle

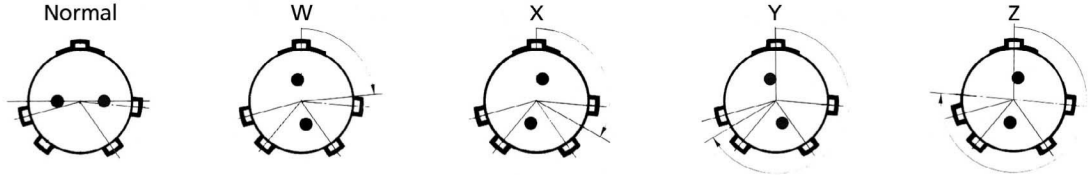




Alternate keyways

Insulator rotated inside shell

Viewed from front face of male insulator (receptacle or plug)
Male insulator rotates clockwise
Female insulator rotates counter-clockwise



Shells	Layouts	Angle in degrees				Solder	Crimp	Service1 1500 Vrms	Service 2 2300 Vrms
		W	X	Y	Z				
8	2	58	122	-	-	•		X	
	3	60	210	-	-	•		X	
	3A (98)*	60	210	-	-	•	•	X	
	4	45	-	-	-	•		X	
	33	90	-	-	-	•	•	X	
10	6	90	-	-	-	•	•	X	
	7*	90	-	-	-			X	
	98	90	180	240	270	•	•	X	
12	3	-	-	180	-	•	•		X
	4								
	8	90	112	203	292	•	•	X	
	10	60	155	270	295	•	•	X	
	2	-	-	-	-				X
	14*	45				•		X	
14	5	40	92	184	273	•	•		X
	7								
	12	43	90	-	-	•	•	X	
	15	17	110	155	234	•	•	X	
	18	15	90	180	270	•	•	X	
	19	30	165	315	-	•	•	X	
16	8	54	152	180	331	•	•		X
	23	158	270	-	-	•	•	X	
	26	60	-	275	338	•	•	X	
18	11	62	119	241	340	•	•		X
	32	85	138	222	265	•	•	X	
	30	180	193	285	350		•	X	
20	16	238	318	333	347	•	•		X
	39	63	144	252	333	•	•	X	
	41	45	126	225	-	•	•	X	
	24	70	145	215	290	•	•	X	
	25	72	144	216	288			X	
	27	72	144	216	288		•	X	
22	21	16	135	175	349	•	•		X
	36	72	144	216	288			X	
	55	30	142	226	314	•	•	X	
	32	72	145	215	288		•	X	
	34	62	142	218	298		•	X	
24	61	90	180	270	324	•	•	X	



Insert Layouts

Shell size	Contact #16 (Ø 1.6 mm)	Contact #20 (Ø 1.0 mm)	Mixed power
8		<p>8-2 2 contacts 2xØ1.0 (#20)</p> <p>8-3 3 contacts 3xØ1.0 (#20)</p> <p>8-3A/8-98 3 contacts 3xØ1.0 (#20)</p> <p>8-33 3 contacts 3xØ1.0 (#20)</p> <p>8-4 4 contacts 4xØ1.0 (#20)</p>	
10		<p>10-6 6 contacts 6xØ1.0 (#20)</p> <p>10-7 7 contacts 7xØ1.0 (#20)</p> <p>10-98 6 contacts 6xØ1.0 (#20)</p>	
12	<p>12-2 2 contacts 2xØ1.6 (#16)</p> <p>12-3 3 contacts 3xØ1.6 (#16)</p> <p>12-4 3 contacts +ground 4xØ1.6 (#16)</p>	<p>12-8 8 contacts 8xØ1.0 (#20)</p> <p>12-10 10 contacts 10xØ1.0 (#20)</p> <p>12-14 14 contacts 14xØ1.0 (#20)</p>	
14	<p>14-5 5 contacts 5xØ1.6 (#16)</p> <p>14-7 6 contacts +ground 7xØ1.6 (#16)</p>	<p>14-18 18 contacts 18xØ1.0 (#20)</p> <p>14-19 19 contacts 19xØ1.0 (#20)</p>	<p>14-12 12 contacts 8xØ1.0 (#20) 4xØ1.6 (#16)</p> <p>14-15 15 contacts 14xØ1.0 (#20) 1xØ1.6 (#16)</p>
16	<p>16-8 8 contacts 8xØ1.6 (#16)</p>	<p>16-26 26 contacts 26xØ1.0 (#20)</p>	<p>16-23 23 contacts 22xØ1.0 (#20) 1xØ1.6 (#16)</p>



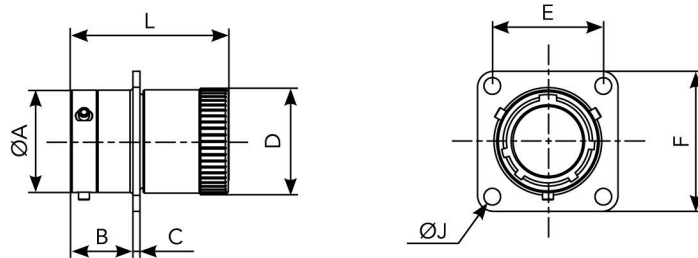
M26482 Style Solder Connectors

Shell size	Contact #16 (Ø 1.6 mm)	Contact #20 (Ø 1.0 mm)	Mixed power
18	<p>18-11 11 contacts 11xØ1.6 (#16)</p>	<p>18-32 32 contacts 32xØ1.0 (#20)</p>	<p>18-30 30 contacts 29xØ1.0 (#20) 1xØ1.6 (#16)</p>
20	<p>20-16 16 contacts 16xØ1.6 (#16)</p>	<p>20-24 24 contacts 24xØ1.0 (#20)</p> <p>20-25 25 contacts 25xØ1.0 (#20)</p> <p>20-27 27 contacts 27xØ1.0 (#20)</p> <p>20-41 41 contacts 41xØ1.0 (#20)</p>	<p>20-39 39 contacts 37xØ1.0 (#20) 2xØ1.6 (#16)</p>
22	<p>22-21 21 contacts 21xØ1.6 (#16)</p>	<p>22-32 32 contacts 32xØ1.0 (#20)</p> <p>22-34 34 contacts 34xØ1.0 (#20)</p> <p>22-36 36 contacts 36xØ1.0 (#20)</p> <p>22-55 55 contacts 55xØ1.0 (#20)</p>	
24		<p>24-61 61 contacts 61xØ1.0 (#20)</p>	



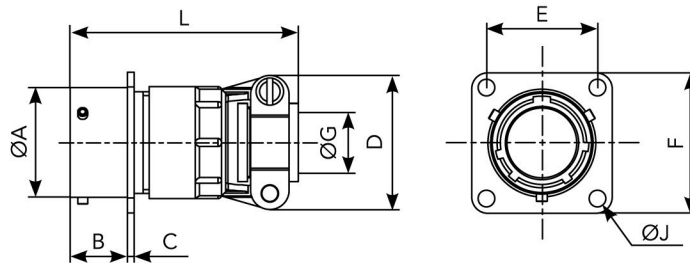
M26482 Style Solder Connectors

Wall Mount Receptacle, Environmental, with "E" Nut



Shell size	Part Number	L max	A	B max	C max	D max	E	F max	J
8	MSW00E8-__ P/S	32.70	12.03	11.70	1.32	13.50	15.09	20.99	3.13
10	MSW00E10-__ P/S	32.70	15.01	11.70	1.32	16.70	18.26	24.19	3.13
12	MSW00E12-__ P/S	32.70	19.07	11.70	1.32	19.90	20.62	26.54	3.13
14	MSW00E14-__ P/S	32.70	22.25	11.70	1.32	23.40	23.00	28.89	3.13
16	MSW00E16-__ P/S	32.70	25.42	11.70	1.32	26.60	24.61	31.29	3.13
18	MSW00E18-__ P/S	32.70	28.60	11.70	1.32	29.50	26.97	33.69	3.13
20	MSW00E20-__ P/S	34.50	31.77	14.35	2.15	32.70	29.36	36.89	3.13
22	MSW00E22-__ P/S	34.50	34.95	14.35	2.15	36.00	31.75	39.99	3.13
24	MSW00E24-__ P/S	34.50	38.12	15.20	2.15	39.10	34.92	43.15	3.81

Wall Mount Receptacle, Environmental, with Strain Relief

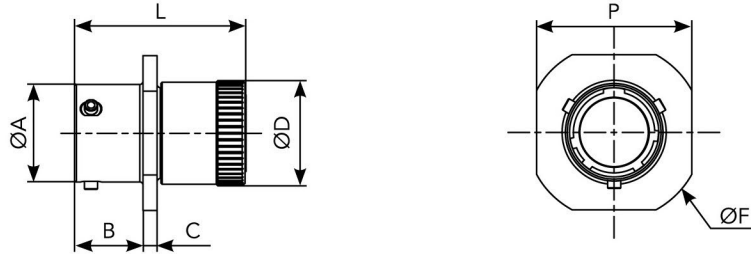


Shell size	Part Number	L max	A	B max	C max	D max	E	F max	J
8	MSW00E8-__ P/S - SR	48.00	12.03	11.70	1.32	13.50	15.09	20.99	3.13
10	MSW00E10-__ P/S - SR	48.00	15.01	11.70	1.32	16.70	18.26	24.19	3.13
12	MSW00E12-__ P/S - SR	48.00	19.07	11.70	1.32	19.90	20.62	26.54	3.13
14	MSW00E14-__ P/S - SR	48.00	22.25	11.70	1.32	23.40	23.00	28.89	3.13
16	MSW00E16-__ P/S - SR	51.00	25.42	11.70	1.32	26.60	24.61	31.29	3.13
18	MSW00E18-__ P/S - SR	51.00	28.60	11.70	1.32	29.50	26.97	33.69	3.13
20	MSW00E20-__ P/S - SR	53.00	31.77	14.35	2.15	32.70	29.36	36.89	3.13
22	MSW00E22-__ P/S - SR	53.00	34.95	14.35	2.15	36.00	31.75	39.99	3.13
24	MSW00E24-__ P/S - SR	53.00	38.12	15.20	2.15	39.10	34.92	43.15	3.81

Note: all dimensions are in mm

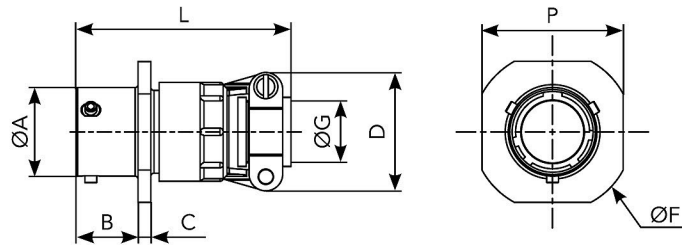


In - Line Receptacle, Environmental, with "E" Nut



Shell size	Part Number	L max	A	B max	C max	D max	F max	P max
8	MSW01E8-__ P/S	32.70	12.03	10.60	2.10	13.50	24.24	20.99
10	MSW01E10-__ P/S	32.70	15.01	10.60	2.10	16.70	27.44	24.19
12	MSW01E12-__ P/S	32.70	19.07	10.60	2.10	19.90	29.79	26.54
14	MSW01E14-__ P/S	32.70	22.25	10.60	2.10	23.40	32.10	28.89
16	MSW01E16-__ P/S	32.70	25.42	10.60	2.10	26.60	34.59	31.29
18	MSW01E18-__ P/S	32.70	28.60	10.60	2.10	29.50	36.94	33.69
20	MSW01E20-__ P/S	34.50	31.77	13.85	2.65	32.70	40.14	36.89
22	MSW01E22-__ P/S	34.50	34.95	13.85	2.65	36.00	43.24	40.00
24	MSW01E24-__ P/S	34.50	38.12	14.70	2.65	39.10	46.44	43.29

In - Line Receptacle, Environmental, with Strain Relief

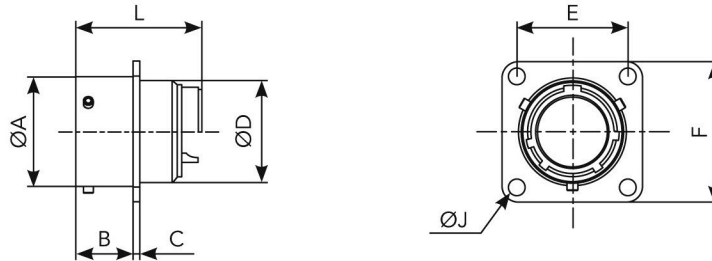


Shell size	Part Number	L max	A	B max	C max	D max	F max	G	P max
8	MSW01E8-__ P/S - SR	48.00	12.03	10.60	2.10	19.90	24.24	3.50	20.99
10	MSW01E10-__ P/S - SR	48.00	15.01	10.60	2.10	21.50	27.44	5.00	24.19
12	MSW01E12-__ P/S - SR	48.00	19.07	10.60	2.10	25.00	29.79	8.20	26.54
14	MSW01E14-__ P/S - SR	48.00	22.25	10.60	2.10	27.80	32.10	10.00	28.89
16	MSW01E16-__ P/S - SR	51.00	25.42	10.60	2.10	29.40	34.59	13.00	31.29
18	MSW01E18-__ P/S - SR	51.00	28.60	10.60	2.10	35.30	36.94	16.00	33.69
20	MSW01E20-__ P/S - SR	53.00	31.77	13.85	2.65	35.30	40.14	16.00	36.89
22	MSW01E22-__ P/S - SR	53.00	34.95	13.85	2.65	41.10	43.24	19.30	40.00
24	MSW01E24-__ P/S - SR	53.00	38.12	14.70	2.65	42.40	46.44	20.60	43.29

Note: all dimensions are in mm

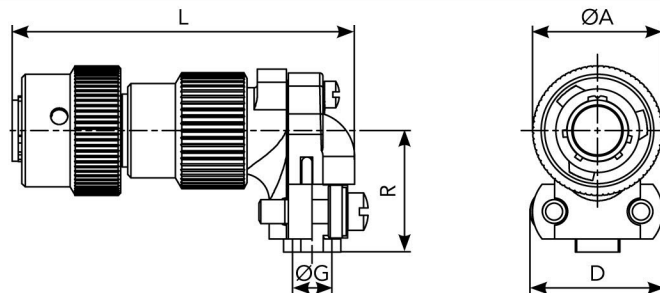


Square Flange Receptacle



Shell size	Part Number	L max	A	B max	C max	D max	E	F max	J
8	MSW02E8-__P/S	25.18	12.03	11.70	1.32	10.84	15.09	20.99	3.13
10	MSW02E10-__P/S	25.10	15.01	11.70	1.32	13.99	18.26	24.19	3.13
12	MSW02E12-__P/S	25.10	19.07	11.70	1.32	17.37	20.62	26.54	3.13
14	MSW02E14-__P/S	25.10	22.25	11.70	1.32	20.57	23.00	28.89	3.13
16	MSW02E16-__P/S	25.10	25.42	11.70	1.32	23.72	24.61	31.29	3.13
18	MSW02E18-__P/S	25.10	28.60	11.70	1.32	26.69	26.97	33.69	3.13
20	MSW02E20-__P/S	26.67	31.77	14.35	2.15	29.89	29.36	36.89	3.13
22	MSW02E22-__P/S	26.67	34.95	14.35	2.15	33.04	31.75	39.99	3.13
24	MSW02E24-__P/S	26.67	38.12	15.20	2.15	36.24	34.92	43.15	3.81

Plug, Environmental, with Right Angle Strain Relief

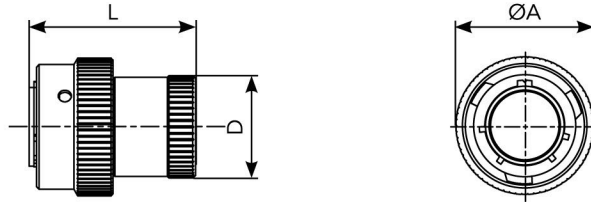


Shell size	Part Number	L max	A max	D max	G	R max
8	MSW08E8-__P/S - SR	50.10	19.05	19.70	3.50	16.00
10	MSW08E10-__P/S - SR	52.60	21.80	21.20	5.00	18.00
12	MSW08E12-__P/S - SR	54.90	26.15	24.20	8.20	19.50
14	MSW08E14-__P/S - SR	58.50	29.35	27.50	10.00	22.00
16	MSW08E16-__P/S - SR	60.80	32.50	29.10	13.00	23.50
18	MSW08E18-__P/S - SR	65.00	35.30	35.70	16.00	25.00
20	MSW08E20-__P/S - SR	69.10	38.85	35.70	16.00	26.50
22	MSW08E22-__P/S - SR	71.00	42.05	39.70	19.30	28.00
24	MSW08E24-__P/S - SR	75.50	45.10	43.50	20.60	31.00

Note: all dimensions are in mm

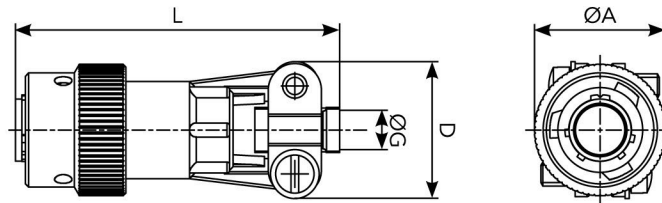


Plug, Environmental with "E" Nut



Shell size	Part Number	L max	A max	D max
8	MSW06E8-__ P/S	32.54	19.05	13.50
10	MSW06E10-__ P/S	32.54	21.80	16.70
12	MSW06E12-__ P/S	32.54	26.15	19.90
14	MSW06E14-__ P/S	32.54	29.35	23.40
16	MSW06E16-__ P/S	32.54	32.50	26.60
18	MSW06E18-__ P/S	32.54	35.30	29.60
20	MSW06E20-__ P/S	33.30	38.85	32.70
22	MSW06E22-__ P/S	33.30	42.05	36.00
24	MSW06E24-__ P/S	33.30	45.10	39.10

Plug, Environmental with Strain Relief

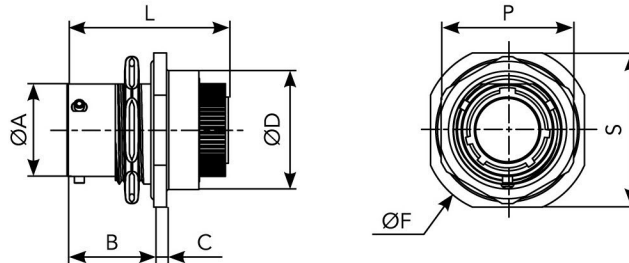


Shell size	Part Number	L max	A max	D max	G
8	MSW06E8-__ P/S - SR	48.00	19.05	19.90	3.50
10	MSW06E10-__ P/S - SR	48.00	21.80	21.50	5.00
12	MSW06E12-__ P/S - SR	48.00	26.15	25.00	8.20
14	MSW06E14-__ P/S - SR	48.00	29.35	27.80	10.00
16	MSW06E16-__ P/S - SR	51.00	32.50	29.40	13.00
18	MSW06E18-__ P/S - SR	51.00	35.30	35.30	16.00
20	MSW06E20-__ P/S - SR	52.00	38.85	35.30	16.00
22	MSW06E22-__ P/S - SR	52.00	42.05	41.10	19.30
24	MSW06E24-__ P/S - SR	52.00	45.10	42.40	20.60

Note: all dimensions are in mm

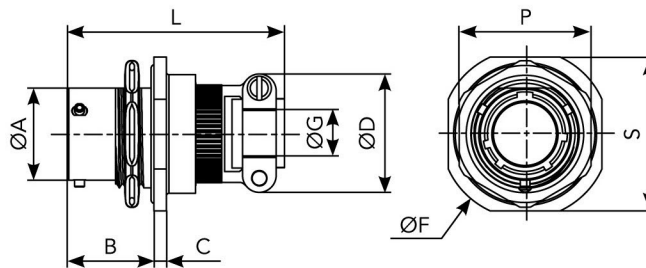


Jam Nut Receptacle, Environmental with "E" Nut



Shell size	Part Number	L max	A	B max	C max	D max	F max	P max	S max
8	MSW07E8-__ P/S	34.10	12.03	17.90	2.64	18.50	26.94	19.29	23.94
10	MSW07E10-__ P/S	34.10	15.01	17.90	2.64	21.70	30.14	22.38	26.94
12	MSW07E12-__ P/S	34.10	19.07	17.90	2.64	24.90	34.94	27.13	31.74
14	MSW07E14-__ P/S	34.10	22.25	17.90	2.64	28.10	38.04	30.33	34.94
16	MSW07E16-__ P/S	34.10	25.42	17.90	2.64	31.20	41.24	33.48	38.24
18	MSW07E18-__ P/S	34.10	28.60	17.90	2.64	34.40	44.44	36.68	41.34
20	MSW07E20-__ P/S	39.30	31.77	22.45	3.44	38.30	49.14	39.83	46.04
22	MSW07E22-__ P/S	39.30	34.95	22.45	3.44	41.50	52.24	43.03	49.24
24	MSW07E24-__ P/S	39.30	38.12	22.30	3.44	44.70	55.54	46.18	52.74

Jam Nut Receptacle, Environmental, with Strain Relief



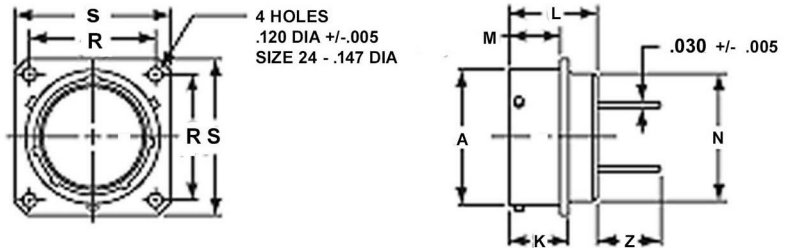
Shell size	Part Number	L max	A	B max	C max	D max	F max	G	P max	S max
8	MSW07E8-__ P/S - SR	49.31	12.03	17.90	2.64	19.90	26.94	3.50	19.29	23.94
10	MSW07E10-__ P/S - SR	49.31	15.01	17.90	2.64	21.50	30.14	5.00	22.38	26.94
12	MSW07E12-__ P/S - SR	49.17	19.07	17.90	2.64	25.00	34.94	8.20	27.13	31.74
14	MSW07E14-__ P/S - SR	49.17	22.25	17.90	2.64	27.80	38.04	10.00	30.33	34.94
16	MSW07E16-__ P/S - SR	52.34	25.42	17.90	2.64	29.40	41.24	13.00	33.48	38.24
18	MSW07E18-__ P/S - SR	53.22	28.60	17.90	2.64	35.30	44.44	16.00	36.68	41.34
20	MSW07E20-__ P/S - SR	58.10	31.77	22.45	3.44	35.30	49.14	16.00	39.83	46.04
22	MSW07E22-__ P/S - SR	58.10	34.95	22.45	3.44	41.10	52.24	19.30	43.03	49.24
24	MSW07E24-__ P/S - SR	58.10	38.12	23.30	3.44	42.40	55.54	20.60	46.18	52.74

Note: all dimensions are in mm



M26482 Style Solder Connectors

Box Mount Receptacle with PCB Contacts

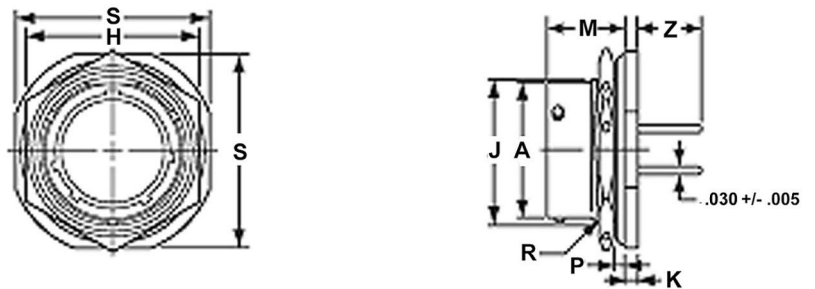


SHELL SIZE	PART NUMBER	R (TP)	S + .011 - .010	A + .001 - .005	K + .021 - .010	L MAX	M + .010 - .000	N DIA. MAX	Z + .040 - .050
10	MSW02E10 - **P/S-50G9	.719	.938	.590	.493	.825	.431	.573	.380
12	MSW02E12 - **P/S-50G9	.812	1.031	.750	.493	.825	.431	.699	.380
14	MSW02E14 - **P/S-50G9	.906	1.125	.875	.493	.825	.431	.823	.380
16	MSW02E16 - **P/S-50G9	.969	1.219	1.000	.493	.825	.431	.949	.380
18	MSW02E18 - **P/S-50G9	1.062	1.312	1.125	.493	.825	.431	1.073	.380
20	MSW02E20 - **P/S-50G9	1.156	1.438	1.250	.650	1.076	.556	1.199	.286
22	MSW02E22 - **P/S-50G9	1.250	1.562	1.375	.650	1.076	.556	1.323	.286
24	MSW02E24 - **P/S-50G9	1.375	1.688	1.500	.683	1.076	.589	1.449	.253

All dimensions are for reference only

Contact factory for additional options

Jam Nut Receptacle with PCB contacts



Shell Size	Part Number	H + .017 - .016	S + .010 - .010	A + .001 - .005	J Flat + .000 - .010	K + .011 - .010	M + .010 - .010	P PANEL THICKNESS		R THREAD CLASS 2A	Z + .025 - .035
								Min.	Max.		
								8	MSW07E8 - **P/S-50F9		
10	MSW07E10 - **P/S-50G9	.875	1.062	.590	.655	.125	.696	.062	.125	.6875-24 UNEF	.376
12	MSW07E12 - **P/S-50G9	1.062	1.250	.750	.818	.125	.696	.062	.125	.8750-24 UNEF	.376
14	MSW07E14 - **P/S-50G9	1.188	1.375	.875	.942	.125	.696	.062	.125	1.0000-20 UNEF	.376
16	MSW07E16 - **P/S-50G9	1.312	1.500	1.000	1.066	.125	.696	.062	.125	1.1250-18 UNEF	.376
18	MSW07E18 - **P/S-50G9	1.438	1.625	1.125	1.191	.125	.696	.062	.125	1.2500-18 UNEF	.376
20	MSW07E20 - **P/S-50G9	1.562	1.812	1.250	1.316	.156	.884	.062	.250	1.3750-18 UNEF	.367
22	MSW07E22 - **P/S-50G9	1.688	1.938	1.375	1.441	.156	.884	.062	.250	1.5000-18 UNEF	.367
24	MSW07E24 - **P/S-50G9	1.816	2.062	1.500	1.556	.156	.917	.062	.250	1.6250-18 UNEF	.334

All dimensions for reference only

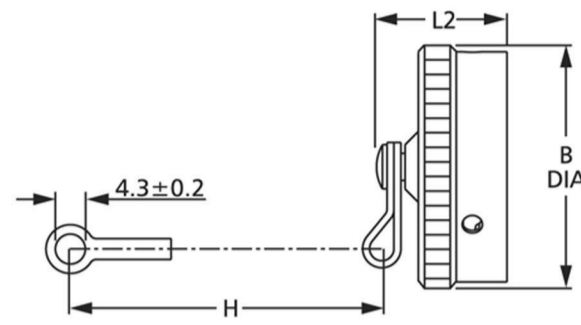
Contact factory for additional options

Protective Covers

With Standard Sash Chain

For Receptacles

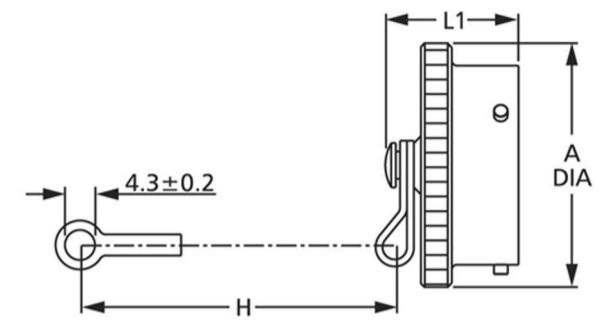
MW81 - ** CW
MW81 - ** CN
MW81 - ** CA



W = Cad OD
N = Elec Nickel
A = Black Anodize

For Plugs

MW80 - ** CW
MW80 - ** CN
MW80 - ** CA

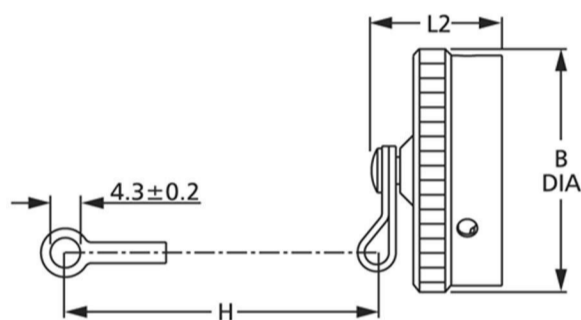


W = Cad OD
N = Elec Nickel
A = Black Anodize

With Standard SS Wire Rope, Teflon Jacket

For Receptacles

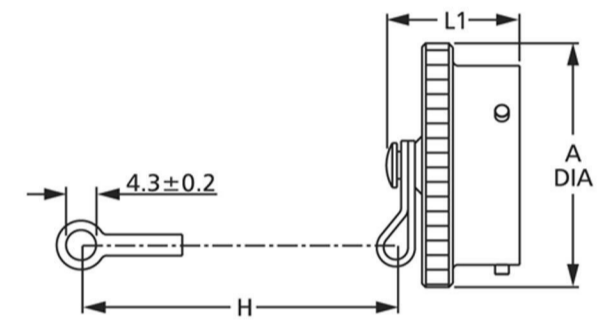
MW81 - ** RW
MW81 - ** RN
MW81 - ** RA



W = Cad OD
N = Elec Nickel
A = Black Anodize

For Plugs

MW80 - ** RW
MW80 - ** RN
MW80 - ** RA

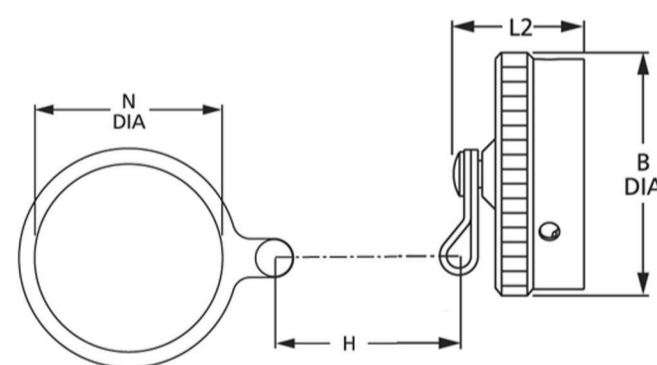


W = Cad OD
N = Elec Nickel
A = Black Anodize

With Standard Chain and Security Ring

For Receptacles

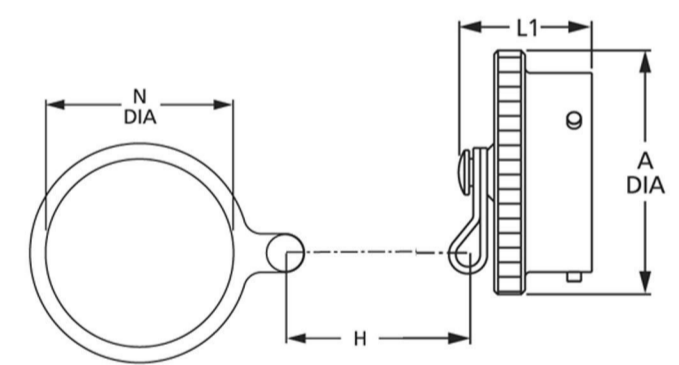
MW81 - ** CWN
MW81 - ** CNN
MW81 - ** CAN



W = Cad OD
N = Elec Nickel
A = Black Anodize

For Plugs

MW80 - ** CWN
MW80 - ** CNN
MW80 - ** CAN



W = Cad OD
N = Elec Nickel
A = Black Anodize

Shell size	Ø A max.	L1 max.	Ø B max.	L2 max.	H max.	Ø N ±0,5
8	18,26	19,84	18,0	21,44	76	14,7
10	21,44	19,84	20,3	21,44	76	17,9
12	25,40	19,84	25,1	21,44	89	22,6
14	28,58	19,84	28,2	21,44	89	25,8
16	31,75	19,84	31,5	21,44	89	29,0
18	34,92	19,84	34,5	21,44	89	32,2
20	38,10	21,44	37,8	21,44	101	35,3
22	41,28	21,44	40,9	21,44	101	38,5
24	44,45	22,22	44,2	22,22	101	41,7