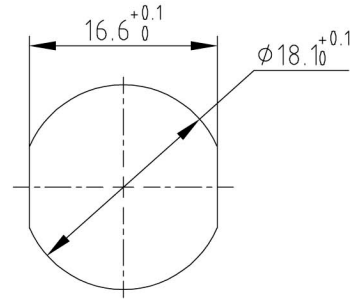
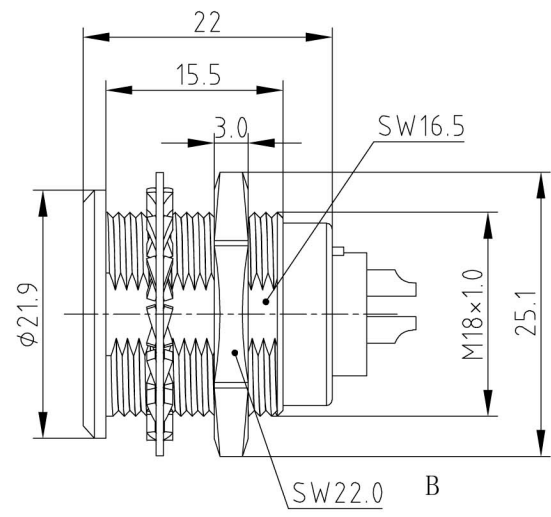
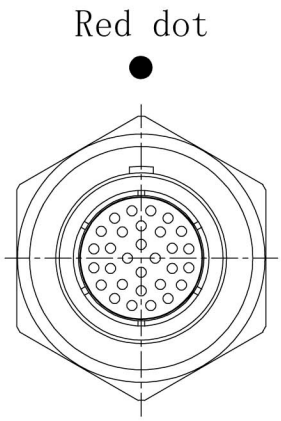
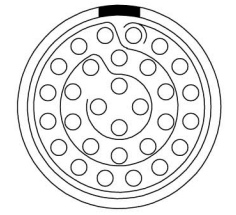


6	7	8
REV	Date	Description



Panel cut out



Solder view

1. Mating	5000
2. IP raing	IP50
3. pin diameter	$\phi 0.7$
4. testing voltage	700V
5. rated current	3.5A
6. shell material	brass,chrome plating
7. pin material	brass, gold plating
8. insulator material	PPS, beige

DIM \ DEG				ANGLE	
	A	B	√ C		
0-5	±0.02	±0.05	±0.10	0° -30°	±0.1°
5-10	±0.05	±0.10	±0.15	31° -60°	±0.3°
10-50	±0.10	±0.15	±0.20	61° -90°	±0.5°
50-100	±0.15	±0.20	±0.25		
100-	±0.15%	±0.20%	±0.25%		

MilSpecWest, LLC				Cage Code: 8NHG3			
DESIGNED		PART NAME	FSG 3B 30pin socket	MATERIAL	UNIT	SCALE	REV
CHECKED		TYPE	FSG.3B.330.CLL		mm	1:1	A/0
APPROVED		DRAWING NO.					