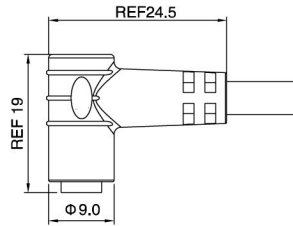




## M8 Female Molded Cable, Angled, Snap-in Type

- Connector series: M8
- Gender: Female
- Coding: A
- Locking type: Snap-in
- Mounting type: Right angled
- Part No.: MA08FAI\*\*RAXXXXXX

\*\* refers to pins number  
X refers to cable specification

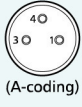
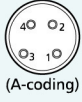


### General information

Standard:	IEC 61076-2-104
Ambient temperature:	-40°C ~ +80°C (fixed installation) -20°C ~ +80°C (flexible installation)
Connector insert:	TPU; PA
Connector contacts:	Brass with gold plated
Connector overmold:	TPU

Insulation resistance:	≥ 100MΩ
Contact resistance:	≤ 5mΩ
Shielding:	Unavailable
IP rating:	IP65 in locked condition
Mating endurance:	>500 cycles

### Electrical data & Mechanical data

Contacts	Rated current	Voltage		Wire gauge / size		Cable jacket	Part No.
		A/C	D/C	AWG	mm <sup>2</sup>		
03 pins  (A-coding)	3A	50V	60V	24AWG	0.25	PVC	MA08FAI03RAXXCB25
						PUR	MA08FAI03RAXXRB25
04 pins  (A-coding)	3A	50V	60V	24AWG	0.25	PVC	MA08FAI04RAXXCB25
						PUR	MA08FAI04RAXXRB25

Note: X refers to cable length

### Remarks

- Please refer to Page 578 for the Conversion between American Wire Gauge AWG and Wire Cross-section mm<sup>2</sup>.
- Please refer to Page 22 for products' part number encoding rule.