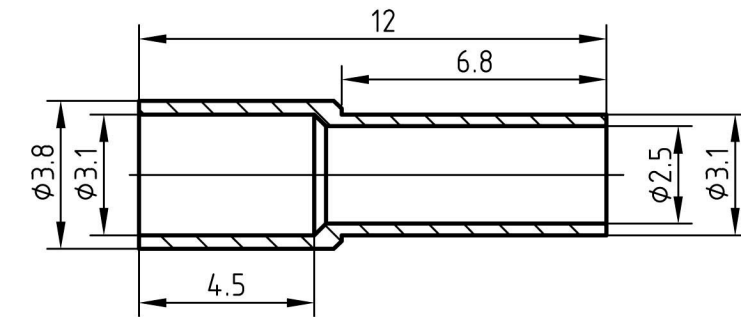
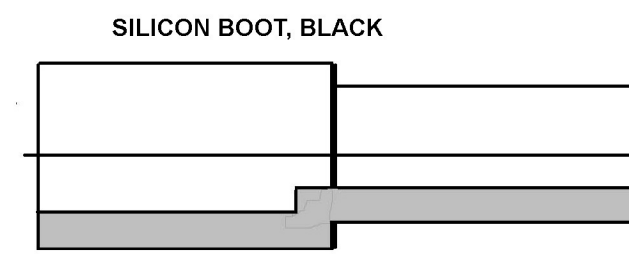
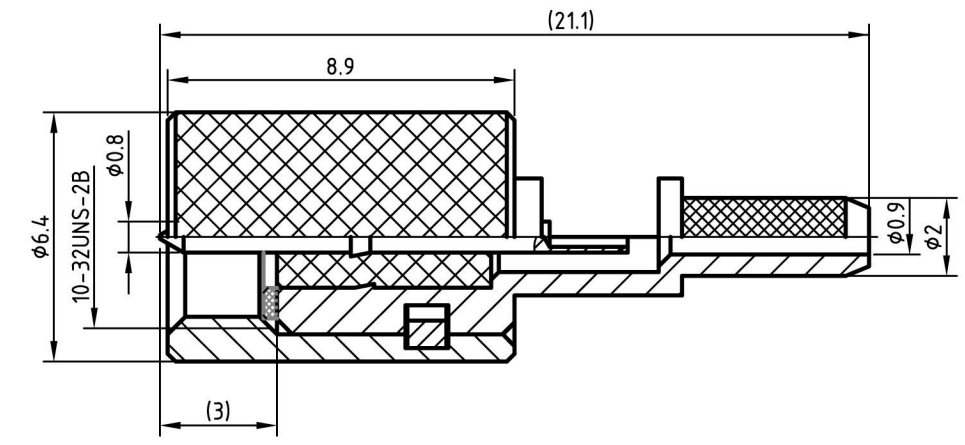


REVISION		
REV	DESCRIPTION	DATE
△		
△		



RoHS
Compliance

NO.	DESCRIPTION	Q'TY	MATERIAL	PLATING	REMARKS
7	RUBBER	1	Silicon Rubber	Red	
6	CRIMP FERRULE	1	BRASS	Nickel Plate	
5	WASHER	1	BERYLLIUM COPPER	Nickel Plate	
4	NUT	1	BRASS	Gold Plate	
3	INSULATOR	1	TEFLON		
2	CONTACT	1	BRASS	Gold Plate	
1	BODY	1	BRASS	Gold Plate	

CUSTOMER	DATE	July, 11, 19	TITLE 10-32 PLUG, RG178, RG196			
	APPROVED BY	Xin LI				
CUSTOMER CODE	CHECKED BY	Super-Way				
	DRAWN BY	Fel Wang	DWG NO. MSW-CX1032-RG178			
	SCALE	5/1	UNIT	mm	WEIGHT	—
			A4	SHEET		