

1

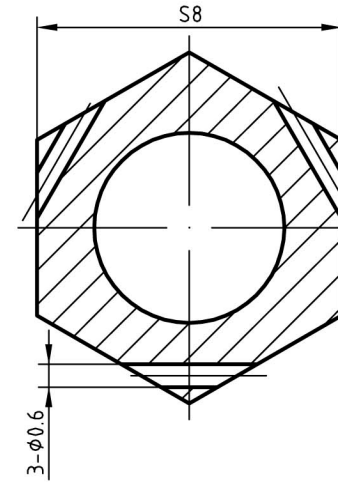
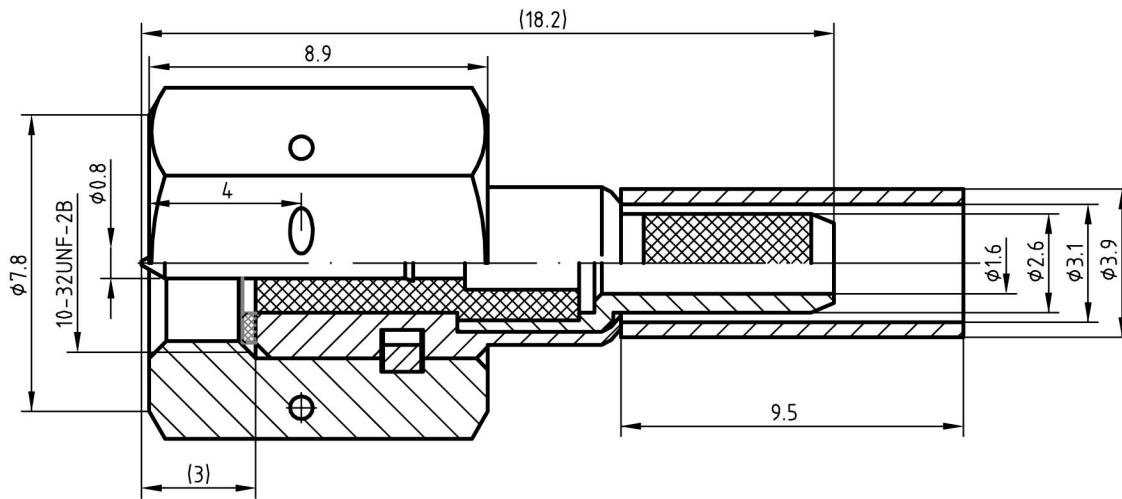
2

3

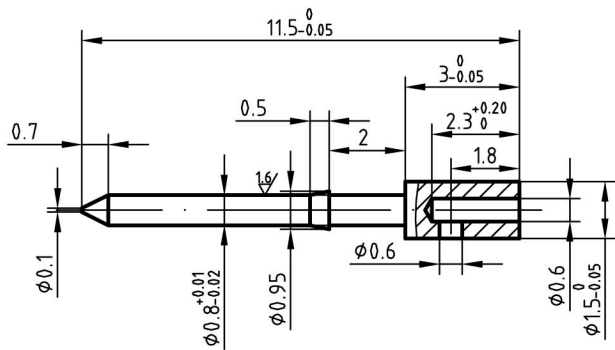
4

# REVISION

REV	DESCRIPTION	DATE
△		
△		



RoHS Compliance



6	CRIMP FERRULE	1	BRASS	Nickel Plate	
5	WASHER	1	BERYLLIUM COPPER	Nickel Plate	
4	NUT	1	BRASS	Gold Plate	
3	INSULATOR	1	TEFLON		
2	CONTACT	1	BRASS	Gold Plate	
1	BODY	2	BRASS	Gold Plate	
NO.	DESCRIPTION	Q'TY	MATERIAL	PLATING	REMARKS

CUSTOMER	DATE Feb. 26, 21	MilSpecWest, LLC		
	APPROVED BY KGN	TITLE		
CUSTOMER CODE	CHECKED BY JDV	MSW-CX1032(M)-J3-1		
	DRAWN BY AFP	DWG		
	SCALE 5/1	UNIT mm	WEIGHT —	A4
				NO. SHEET